

VDIC NAND Flash Memory

VDNF2G08XS48XX1V25 USER MANUAL

Version : A5

Document NO. : ORBITA/SIP- VDNF2G08XS48XX1V25-USM-01

Zhuhai Orbita Aerospace Science & Technology Co. , Ltd.

Add: Orbita Tech Park, NO.1 Baisha Road, Tangjia Dong`an,

Zhuhai, Guangdong, China 519080

Tel: +86-756-3391979 Fax: +86-756-3391980

Contents

1.	DESCRIPTION.....	1
2.	FEATURES.....	2
3.	Block Diagram	3
4.	PIN DESCRIPTIONS–SOP-48	3
5.	ELECTRICAL SPECIFICATIONS	5
5.1.	Absolute Maximum Ratings.....	5
5.2.	Recommended DC Operating Conditions.....	5
5.3.	DC and Operating Characteristics.....	5
6.	Typical Application	6
7.	ORDERING INFORMATION.....	7
8.	PACKAGE DIMENSIONS.....	8
9.	REVISION HISTORY	9

VDIC-NAND Flash Memory

3.3V 256M × 8bit

1. DESCRIPTION

Offered in 256M × 8bit , the VDNF2G08XS48XX1V25 is a 2G bit NAND Flash Memory with spare capacity of 64M-bits. The device operates at 3.3V. The I/O pins serve as the ports for address and data input/output as well as command input.

The VDNF2G08XS48XX1V25 is stacked with one die, the die consisting of 256M × 8bit. a program operation can be performed in typical 200μs on a (2K+64)byte page and an erase operation can be performed in typical 1.5ms on a (128K+4K)byte block. Data in the page can be read out at 25ns cycle time per byte.

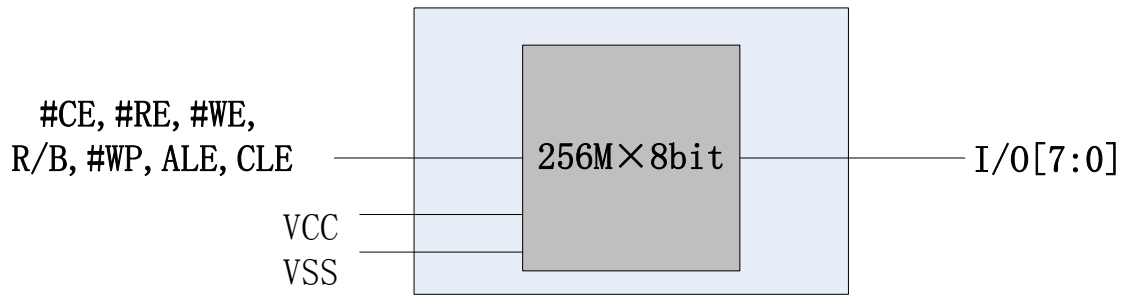
The device has an on-chip write controller which is used to automate all program and erase functions including pulse repetition, where required, and internal verification and margining of data. Even the write-intensive systems can take advantage of the VDNF2G08XS48XX1V25's extended reliability of 100K program/erase cycles by providing ECC(Error Correcting Code) with real time mapping-out algorithm.

The VDNF2G08XS48XX1V25 is an optimum solution for large nonvolatile storage applications such as solid state data storage and advanced embedded control applications.

2. FEATURES

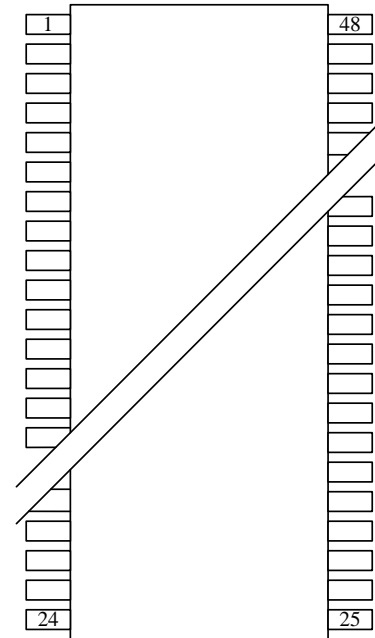
- Voltage Supply
 - 3.3V device: 2.7 ~ 3.6 V
- Organization
 - Memory Cell Array
 - 1die ×(256M + 8M) × 8 bit
 - Data Register
 - (2K + 64) × 8bit
- Automatic Program and Erase
 - Page Program
 - (2K + 64)Byte
 - Block Erase
 - (128K + 4K)Byte
- Page Read Operation
 - Page Size
 - (2K + 64)Byte
 - Random Access : 25μs(Max.)
 - Serial Page Access : 25ns(Min.)
- Fast Write Cycle Time
 - Program time : 200μs(Typ.)
 - Block Erase Time : 1.5ms(Typ.)
- Command/Address/Data Multiplexed I/O Port
- Hardware Data Protection
 - Program/Erase Lockout During Power Transitions
- Reliable CMOS Floating-Gate Technology
 - Endurance : 100K Program/Erase Cycles
 - Data Retention : 10 Years
- Command Register Operation
- Intelligent Copy-Back with internal 1bit/528Byte EDC
- Package
 - SOP-48

3. Block Diagram



4. PIN DESCRIPTIONS—SOP-48

Pin Id	Pin #		Pin Id
NC	1	48	NC
NC	2	47	NC
NC	3	46	NC
NC	4	45	NC
NC	5	44	I/O7
NC	6	43	I/O6
R/B	7	42	I/O5
#RE	8	41	I/O4
#CE	9	40	NC
NC	10	39	NC
NC	11	38	NC
VCC	12	37	VCC
VSS	13	36	VSS
NC	14	35	NC
NC	15	34	NC
CLE	16	33	NC
ALE	17	32	I/O3
#WE	18	31	I/O2
#WP	19	30	I/O1
NC	20	29	I/O0
NC	21	28	NC
NC	22	27	NC
NC	23	26	NC
NC	24	25	NC



Name	Function
I/O0~I/O7	<p>DATA INPUTS/OUTPUTS</p> <p>The I/O pins are used to input command, address and data, and to output data during read operations. The I/O pins float to high-z when the chip is deselected or when the outputs are disabled.</p>
CLE	<p>COMMAND LATCH ENABLE</p> <p>The CLE input controls the activating path for commands sent to the command register. When active high, commands are latched into the command register through the I/O ports on the rising edge of the #WE signal.</p>
#CE	<p>Chip Enable Input</p> <p>When #CE is Low, the command input cycle becomes valid. When #CE is High, all inputs are ignored.</p>
ALE	<p>ADDRESS LATCH ENABLE</p> <p>The ALE input controls the activating path for address to the internal address registers. Addresses are latched on the rising edge of #WE with ALE high.</p>
#RE	<p>READ ENABLE</p> <p>The #RE input is the serial data-out control, and when active drives the data onto the I/O bus. Data is valid tREA after the falling edge of #RE which also increments the internal column address counter by one.</p>
#WE	<p>WRITE ENABLE</p> <p>The #WE input controls writes to the I/O port. Commands, address and data are latched on the rising edge of the #WE pulse.</p>
#WP	<p>WRITE PROTECT</p> <p>The #WP pin provides inadvertent write/erase protection during power transitions. The internal high voltage generator is reset when the #WP pin is active low.</p>
R/B	<p>READY/BUSY OUTPUT</p> <p>The R/B output indicates the status of the device operation. When low, it indicates that a program, erase or random read operation is in progress and returns to high state upon completion. It is an open drain output and does not float to high-z condition when the chip is deselected or when outputs are disabled.</p>
VCC	<p>POWER</p> <p>VCC is the power supply for device.</p>
VSS	<p>GROUND</p>
NC	<p>NO CONNECTION</p>

Name	Function
	Lead is not internally connected.

5. ELECTRICAL SPECIFICATIONS

5.1. Absolute Maximum Ratings

Characteristics	Symbol	Maximum ratings	Unit
Voltage on VCC supply relative to Vss	V _{CC}	-0.6 to +4.6	V
Voltage on any pin relative to Vss	V _{IN}	-0.6 to +4.6	V
	V _{I/O}	-0.6 to V _{CC} + 0.3 (< 4.6)	V
Power Dissipation	P _D	0.5	W
Operating Temperature Range	T _{OPR}	-55~ +125	°C
Storage Temperature Range	T _{STG}	-65 to +150	°C

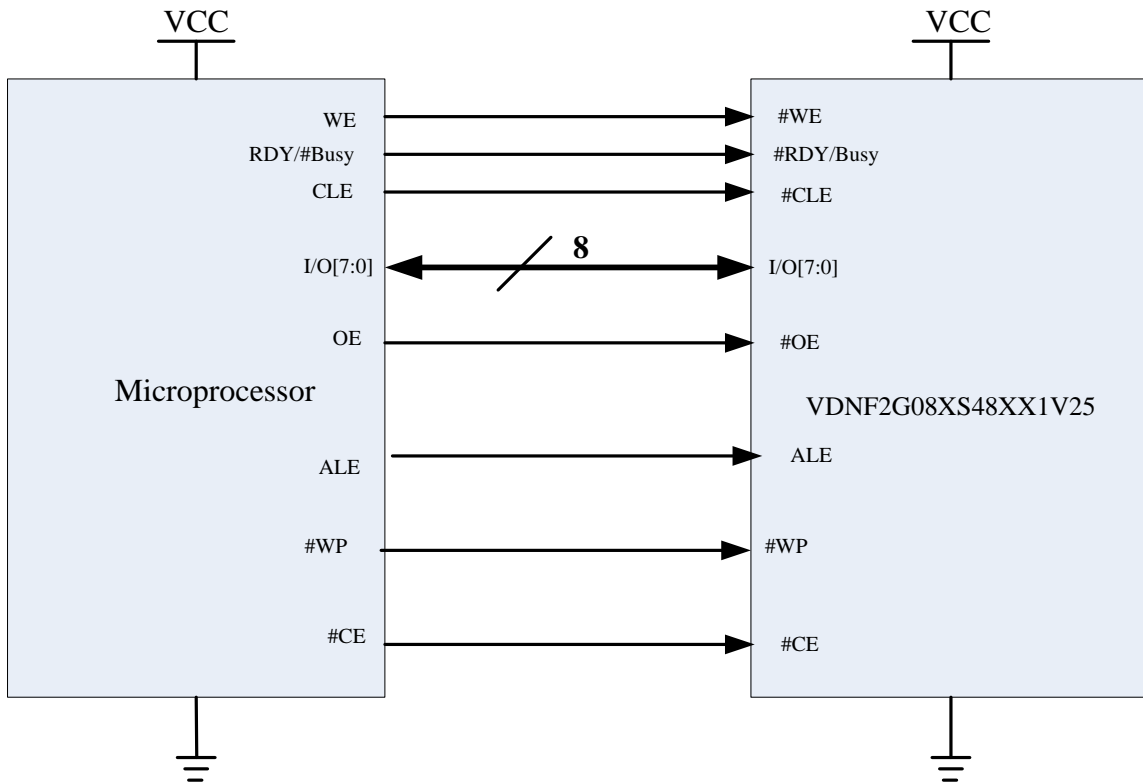
5.2. Recommended DC Operating Conditions

Parameter	Symbol	Min	Typ	Max	Unit
Supply voltage	V _{CC}	2.7	3.3	3.6	V
Input high voltage	V _{IH}	2.0	—	V _{CC} +0.3	V
Input low voltage	V _{IL}	-0.3	—	0.8	V

5.3. DC and Operating Characteristics

Parameter	Symbol	Test Conditions	Min	Max	Unit
Output voltage low level	V _{OL}	V _{CC} =2.7V , I _{OL} =+4mA	—	0.4	V
Output voltage high level	V _{OH}	V _{CC} =2.7V , I _{OH} =-2mA	2.4	—	V

6. Typical Application



7. ORDERING INFORMATION

1	2	3	4	5	6	7	8	9	10	11	12	13
<u>VD</u>	<u>NF</u>	<u>2G</u>	<u>08</u>	<u>X</u>	<u>S</u>	<u>48</u>	<u>X</u>	<u>X</u>	<u>1</u>	<u>V</u>	<u>25</u>	-
VDIC												
NAND FLASH												
Capability: 2G bit												
Bus Width: 8bit												
R= Radiation Data Tested; V= Generic Radiation Data Available												
Package: S=SOP												
48=48 Pin												
Temperature: E=0~70°C;I=-40~85°C;M=-55~125°C;S=Specific												
Quality: E= Sample; B= Industry; M=Military; S= Space												
Stacking Layer:1=1layer												
Power Supply :V=3.3V												
Speed:25= 25ns												
-I、-K or blank space=First Version												

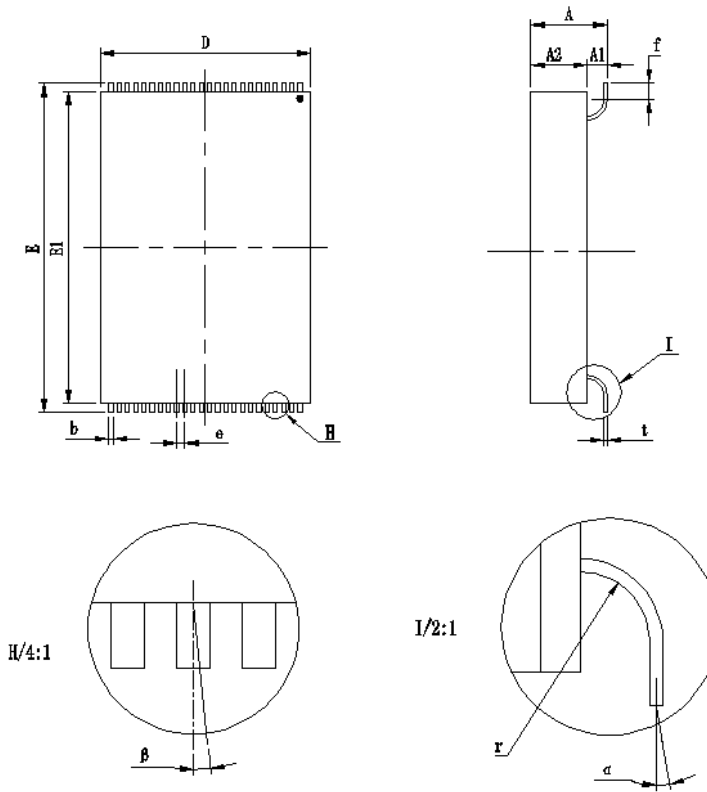
Part Number	Capacity (bit)	Bus Width (bit)	Radiation			Packaging	Temperature (°C)
			TID ¹	SEL ²	SEU ³		
VDNF2G08VS48EE1V25	2G	8	-	-	-	SOP48	0 ~ +70
VDNF2G08VS48IB1V25	2G	8	-	-	-	SOP48	-40 ~ +85
VDNF2G08VS48MB1V25	2G	8	-	-	-	SOP48	-55 ~ +125
VDNF2G08VS48MM1V25	2G	8	-	-	-	SOP48	-55 ~ +125
VDNF2G08RS48MS1V25	2G	8	>60	>62.5	1.3	SOP48	-55 ~ +125

¹ TID: Total Dose (Krad(Si))

² SEL: LET Threshold (Mev.cm²/mg)

³ SEU:SEU Threshold (Mev.cm²/mg)

8. PACKAGE DIMENSIONS



	Min	Max
A	3.70	4.40
A2	2.50	3.10
D	12.70	13.10
E	19.80	20.20
E1	18.80	19.20
f	1.20	
b	0.25	
e	0.50	
r	1.00	
t	0.20	
α	$\leq 3^\circ$	
β	$\leq 3^\circ$	
NOTE : 1. Unit : mm		
2. A1= A - A2		

9. REVISION HISTORY

Revision	Date	Description of Change
A0	Nov 3,2015	First Created
A1	Mar 14,2016	Modified the PIN DESCRIPTIONS
A2	Aug 23,2016	Modified the ORDERING INFORMATION
A3	Jan 9,2017	Modified the PACKAGE DIMENSIONS
A4	Oct.25,2017	Changed company's name to Zhuhai Orbita Aerospace Science & Technology Co., Ltd
A5	Mar 24,2018	Add or reduce chapters